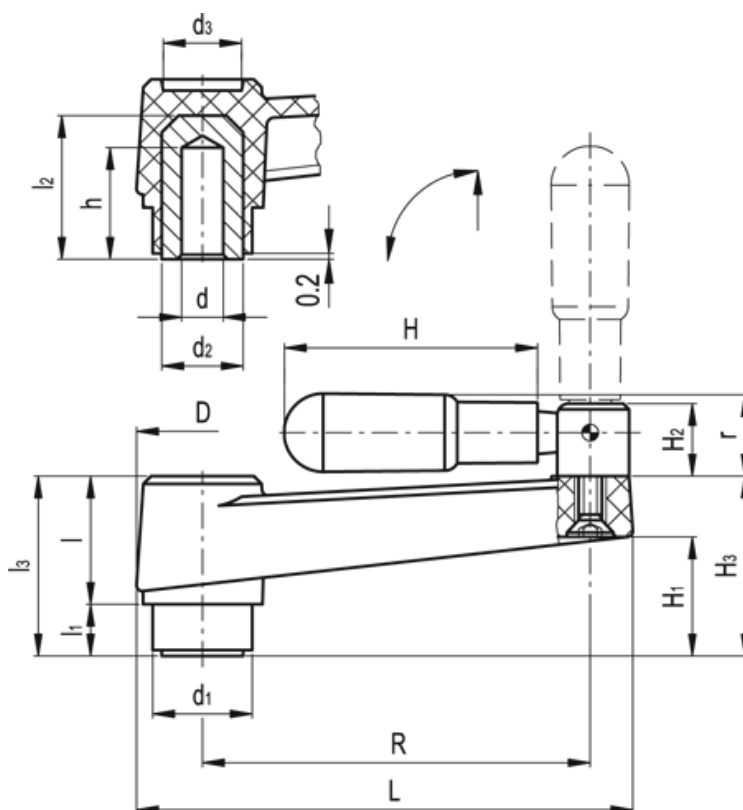


Data Sheet



Article number: 2301044317
Description: E+G Crank handle
MT.100-AT+IR

Measures



D = 34	H2 = 14	r = 16.5
d1 = 24.0	H3 = 39.0	Weight (g) = 185
d2 = 18	L = 128	
d3 = 21	l = 30	
d H7 = 12	l1 = 10	
H = 65	l2 = 31	
h = 24	l3 = 40	
H1 = 24.5	R = 100	